
UV950A Series HD Video Conference Camera



Full HD, Wide View Angle, Multiple Video Interfaces. Multiple protocols

UV950A series camera offers perfect functions, superior performance and rich interfaces. The features include advanced ISP processing algorithms to provide vivid images with a strong sense of depth, high resolution, and fantastic color rendition. It supports H.264/H.265 encoding which makes motion video fluent and clear even under less than ideal bandwidth conditions.

Key Features

- **Superb High-definition Image**

UV950A employs 1/2.8 inch 2.07 megapixel high quality CMOS sensor. Resolution is up to 1920x1080 with frame rate up to 60fps.

- **Various Optical Zoom Lens**

UV950A has 12X/20X optical zoom lens for options. 12x zoom lens is with 72.5 ° wide view angle without distortion.

- **Leading Auto Focus Technology**

Leading auto focus algorithm makes lens a fast, accurate and stable auto-focusing.

- **Low Noise and High SNR**

Low Noise CMOS effectively ensure high SNR of camera video. Advanced 2D/3D noise reduction technology is also used to further reduce the noise, while ensuring image sharpness.

- **Audio Input Interface (for future development)**

Support 8000,16000,32000,44100,48000 sampling frequency and AAC,MP3,PCM audio coding.

- **Wide-range, Quiet and Quick Pan/Tilt Mechanism**

By adopting step driving motor

mechanism,UV950A camera works extremely quiet and moves smoothly.

- **Multiple Audio/Video compression**

Support H.264/H.265 video compression; AAC, MP3 and PCM audio compression; Support compression of resolution up to 1920x1080 with frame up to 60fps and 2 channel 1920x1080p with 30fps compression.

- **Multiple Network Protocol**

Support **NDI (additional option)**, ONVIF, RTSP,RTMP protocols and support RTMP push mode, easy to link streaming media server (Wowza, FMS)

- **Wide Application**

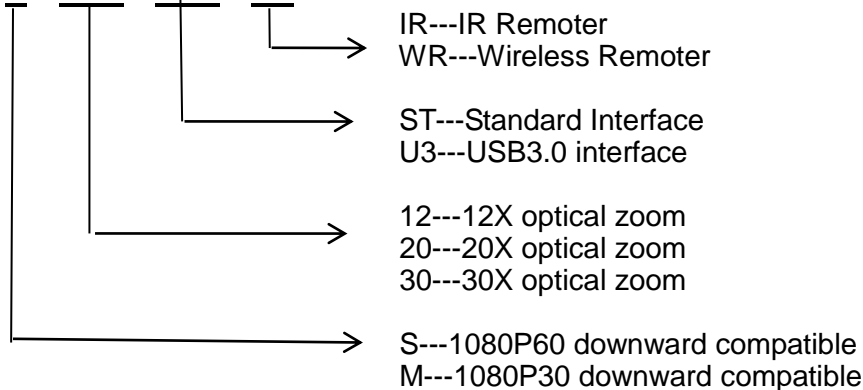
Tele-education,lecture capture, Webcasting, Videoconferencing,Tele-training,Tele-medicine, Interrogation and Emergency command systems.

- **Low-power sleep function**

Support low-power sleep/wake up,the consumption is lower than 400mW under sleep mode.

Camera Model.

UV950AX—XXX—XXX—XX



Technical Specification

Model	UV950A-12	UV950A-20	UV950A-30
Camera Parameter			
Optical Zoom	12X f=3.9~46.1mm	20X f=5.57~110mm	30X f=4.3~129mm
Sensor	1/2.8 inch high quality HD CMOS sensor		
Effective Pixels	16: 9 2.07 megapixel		
Video Format	<p>DVI(HDMI)/SDI video format 1080P60/50/30/25/59.94/29.97;1080I60/50/59.94;720P60/50/30/25/59.94/29.97</p> <p>U3 interface video format 1)U3.0:1920X1080P60/50/30/25;1280X720P60/50/30/25;960X540P30;640X360P30;640X480P30;352X288P30;960X540P30;800X540P30 2) U3.0 compatible with U2.0 :960X540P30; 640X360P30; 1280X720P10/15; 720X576P50; 720X480P60; 640X480P30; 352X600P30.</p>		
View Angle	6.3°(tele)--72.5°(wide)	3.3°(tele)--54.7°(wide)	4.3°(tele)--54.7°(wide)
AV	F1.8 ~ F2.4		
Digital Zoom	10X		
Minimum Illumination	0.01Lux (F1.8, AGC ON)		
DNR	2D & 3D DNR		
White Balance	Auto/Manual/OnePush/ 3000K/3500K/4000K/4500K/5000K/5500K/6000K/6500K/7000K		
Focus	Auto/Manual/ One Push		
Aperture	Auto/Manual		
Electronic Shutter	Auto/Manual		
BLC	ON/OFF		
WDR	OFF/ Dynamic level adjustment		
Video Adjustment	Brightness,Color,Saturation,Contrast,Sharpness,B/W,Gamma curve		
SNR	>55dB		
Input/Output Interface			
Video Interfaces	<p>UV950A-12/20/30-ST Model:DVI(HDMI), SDI, LAN, RS232, RS485, A-IN</p> <p>UV950A-12/20/30-ST-WIFI Model:DVI(HDMI), SDI, LAN, RS232, RS485, A-IN, WIFI</p> <p>UV950A-12/20/30-U3 Model:USB3.0, DVI(HDMI), LAN, RS232</p> <p>UV950A-12/20/30-U2U3 Model:USB3.0,USB2.0,HDMI, LAN, RS232, A-IN</p>		
Image Code Stream	Dual stream output		
Video Compression Format	H.264, H.265		
Control Signal Interface	RS-232 Ring through RS232 output		

Control Protocol	VISCA/Pelco-D/Pelco-P; Baud Rate: 115200/9600/4800/2400bps
Audio Input Interface	Double track 3.5mm linear input;
Audio Compression Format	AAC/MP3/G.711A Audio compression
HD IP Interface	100M IP port(10/100BASE-TX); 5G WiFi (optional), Support Visca protocol control through IP port.
Network Protocol	RTSP/RTMP,ONVIF,GB/T28181, NDI (Additional option)
Power Interface	HEC3800 outlet (DC12V)
PTZ Parameter	
Pan Rotation	±170°
Tilt Rotation	-30°~+90°
Pan Control Speed	0.1 -100°/sec
Tilt Control Speed	0.1-45°/sec
Preset Speed	Pan: 100°/sec,Tilt: 45°/sec
Preset Number	255 presets (10 presets by remote controller)
Other Parameter	
Supply Adapter	AC110V-AC220V to DC12V/1.5A
Input Voltage	DC12V±10%
Input Current	1A(Max)
Consumption	12W (Max)
Store Temperature	-10°C~+50°C
Store Humidity	20% - 95%
Working Temperature	-10°C~+50°C
Working Humidity	20%--80%
Dimension	258mmX172mmX168mm
Weight	1.54KG
Remote Operation (IP)	Remote Upgrade,Reboot and Reset
Accessory	Power supply,RS232 control cable, remoter, manual, warranty card, bracket(optional)

Dimension:

