

KT-UH45GQ/45GH

4K PTZ Camera

4K30

10X/20X Lens

USB3.0+HDMI+IP



Features

■ 4K Ultra HD Resolution:

Applies SONY 1/2.8" Progressive CMOS sensor, 8.50 Megapixels, max. 4K (3840x2160) high resolution with frame rate up to 4K 30fps.

■ 10x, 20x Optical Zoom Lens:

UH45GQ: 10x optical zoom, 67.8 degree wide angle.

UH45GH: 20x optical zoom, 58.7 degree wide angle .

■ USB3.0+HDMI+IP Interface, Rich Application Scenarios:

Compatible with all current mainstream video output interfaces, HDMI+USB3.0 can output ultra 4K video at the same time.

■ Low Light:

The new ultra-high signal-to-noise ratio CMOS image sensor can effectively reduce image noise under low-light conditions. At the same time, 2D&3D digital noise reduction is applied to greatly reduce image noise. Even in ultra-low light conditions, the picture can still be kept clean and clear, and the image signal-to-noise ratio is higher than 45dB.

■ IR Remote Control Signal Transparent Transmission Function:

In addition to receiving its own infrared remote control signal, it can also receive the signal from consumer's infrared remote control and send it to the video conference terminal through the VISCA port.

■ Multiple Video Compression Standards:

Different interfaces support YUY2, H.265, MJPG, H.264 multiple video compression formats.

■ Multiple Network Protocols:

Support ONVIF, SRT, RTSP, RTMP protocols.

Multiple Control Protocols:

Supports VISCA(VISCA Over IP), PELCO P/D protocol, automatically identifies protocol.

Multi-installation Methods:

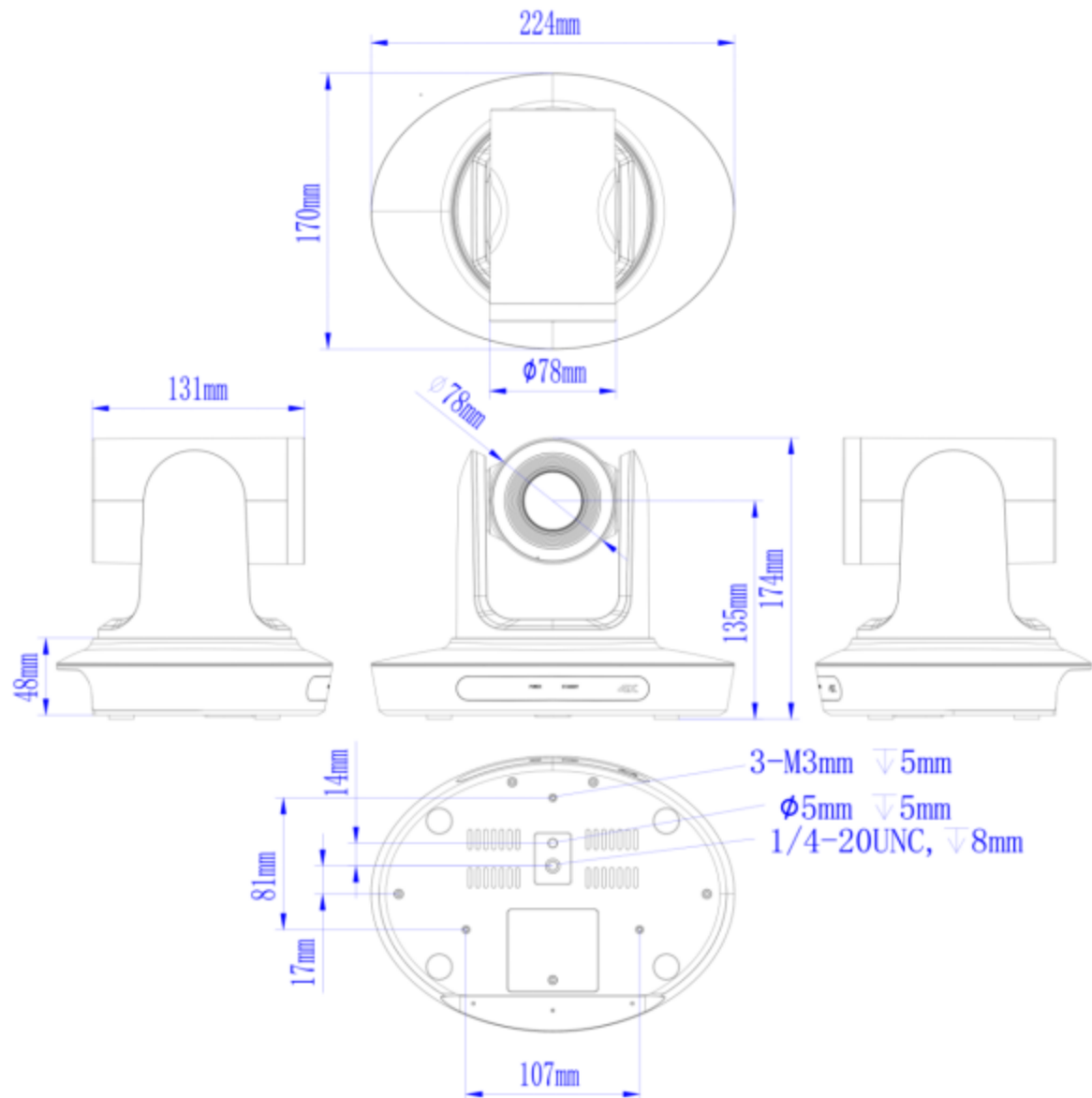
Wall mounting, desktop or ceiling mounting.

Specifications

Image Parameters	
Resolution	HDMI: 4K30/25, 1080p60/59.94/50/30/29.97/25, 720p60/50
Image Sensor	SONY 1/2.8" CMOS
Pixels	8.50 Megapixels, 8.29 Effective Megapixels
Scan Mode	Line by line
Lens	UH45GQ: 10X Optical Zoom, f=4.2mm(W)~42mm(T), F1.76~F3.0 UH45GH: 20X Optical Zoom, f=5.2mm(W)~104mm(T), F1.55~F3.13
Horizontal View Angle	UH45GQ: 67.5°(W)~7.6°(T) UH45GH: 58.7°(W)~3.2°(T)
Vertical View Angle	UH45GQ: 40.2°(W)~4.3°(T) UH45GH: 32.2°(W)~1.8°(T)
Focus System	Auto, Manual
Shutter Speed	1/25s ~ 1/10000s
Minimum Illumination	UH45GQ: 0.1 Lux @ (F1.8, AGC ON) UH45GH: 0.1 Lux @ (F1.5, AGC ON)
Exposure	Auto, Manual, Iris Priority, Shutter Priority, Brightness priority
White Balance	Auto, Indoor, Outdoor, Keying, Auto Tracking, Manual
Backlight Compensation	Support
Digital Noise Reduction	2D&3D Digital noise reduction
S/N Ratio	≥50dB
Pan/Tilt	
Pan Angle	±168°
Tilt Angle	-30°~+90°
Pan Speed	1°~60°/s
Tilt Speed	1°~60°/s
Preset Positions	9 preset positions by IR remote controller, 200 preset positions by joystick controller or PC
Preset Accuracy	0.1°±10%
Flip	Support
POE	802.3af (Optional)
USB	
Protocol	UVC 1.1
Operating System	Window7 and above, MacOS, Linux, Android
Video Compression	YUY2, MJPEG
Resolution	3840*2160, 2560*1440, 1920*1080, 1280*720, 960*540, 800*600, 720*576, 720*480, 640*480, 640*360, 352*288, 320*240
Frame Rate	Max.30

UVC Control	Support
LAN	
Protocol	TCP/IP, HTTP, RTSP, RTMP, RTMPS, SRT, Onvif, DHCP, VISCA Over IP
Video Compression	H.264, H.265
Code Stream	Main code stream*1
Main Stream Resolution	1920*1080
Bitrate Control	VBR, CBR
Audio	
Audio Compression	AAC
Audio Bit Rate	128kbps
Interface	
HDMI Interface	1 Line, HDMI: Version 1.4
USB Interface	1 Line, USB3.0, Type-B Socket
Network Interface	1 Line, RJ45: 10M/100M adaptive Ethernet port
Audio Interface	1 Line, Line In, 3.5mm
Serial Interface	1 Line, RS232 IN: 8-Pin Mini Din, up to 30 meters, VISCA/Pelco-D/Pelco-P Protocol. 1 Line, RS422/485: 3-Core Phoenix Interface, up to 1200 meters, VISCA/Pelco-D/Pelco-P Protocol.
Power Interface	JEITA RC-5320A Type 4
General Specifications	
Input Voltage	DC 12V
Input Current	Max.1.5A
Power Consumption	Max.18W
Operating Temperature	0~40℃
Storage Temperature	-10~60℃
Color	Black
Dimension	(W)224*(D)170*(H)174mm
Weight	1.2kg
Accessories	DC 12V power adapter, IR Remote, User manual, USB3.0 Cable, RS-232C Cable, Ceiling bracket, Wall bracket(Optional)

Dimension



Application scenarios



Connection

