

## KT-UH43DH

### 20X Ultra HD PTZ Camera

4K 30FPS

20X Optical Zoom

USB3.0+HDMI+LAN+3G-SDI



## Features

#### ■ 4K 30FPS full HD smooth picture output:

SONY 1/2.8-inch 8.29 million pixel high-quality image sensor, it can achieve a maximum of 3840x2160 30FPS ultra-high resolution and high frame rate quality images.

#### ■ 20X Optical Zoom Lens

20X optical zoom lens+55.8° distortion-free horizontal viewing angle.

Meet more scenes such as live broadcast of large-scale auditorium meetings, blackboard writing in lecture theaters, and other real-life details .

#### ■ USB3.0+HDMI+LAN+3G-SDI full interface, rich application scenarios :

USB3.0+HDMI+LAN+3G-SDI full interface, supports 4K 30 frame ultra-high definition picture output .

#### ■ Low light:

The new ultra-high signal-to-noise ratio CMOS image sensor can effectively reduce image noise under low-light conditions. At the same time, 2D & 3D digital noise reduction is applied to significantly reduce image noise. Even under ultra-low light conditions, the image can still be kept clean and clear, and the image signal-to-noise ratio is higher than 50dB..

#### ■ Remote control:

Multiple cameras can be controlled using RS232 and RS485 serial ports.

■ **Infrared transparent transmission :**

In addition to receiving its own dedicated remote control signal, it can also receive users' infrared remote control signals and send them to the video conferencing terminal through the RS232 IN port.

■ **Contains multiple control protocols :**

various control protocols such as VISCA, PELCO P/D, and Onvif, and supports automatic identification protocols.

■ **Multiple video compression standards:**

Different interfaces support multiple video compression formats such as YUY2, H.265, MJPG, and H.264.

■ **Multiple network protocols**

Supports ONVIF, SRT, RTSP, RTMP, RTMPS and other network protocols.

■ **Multiple control protocols**

Supports VISCA (including VISCA Over IP), PELCO P/D protocols, and automatic identification protocols.

■ **Various installation methods**

Multiple installation methods, can be installed on desktop, ceiling, or wall.

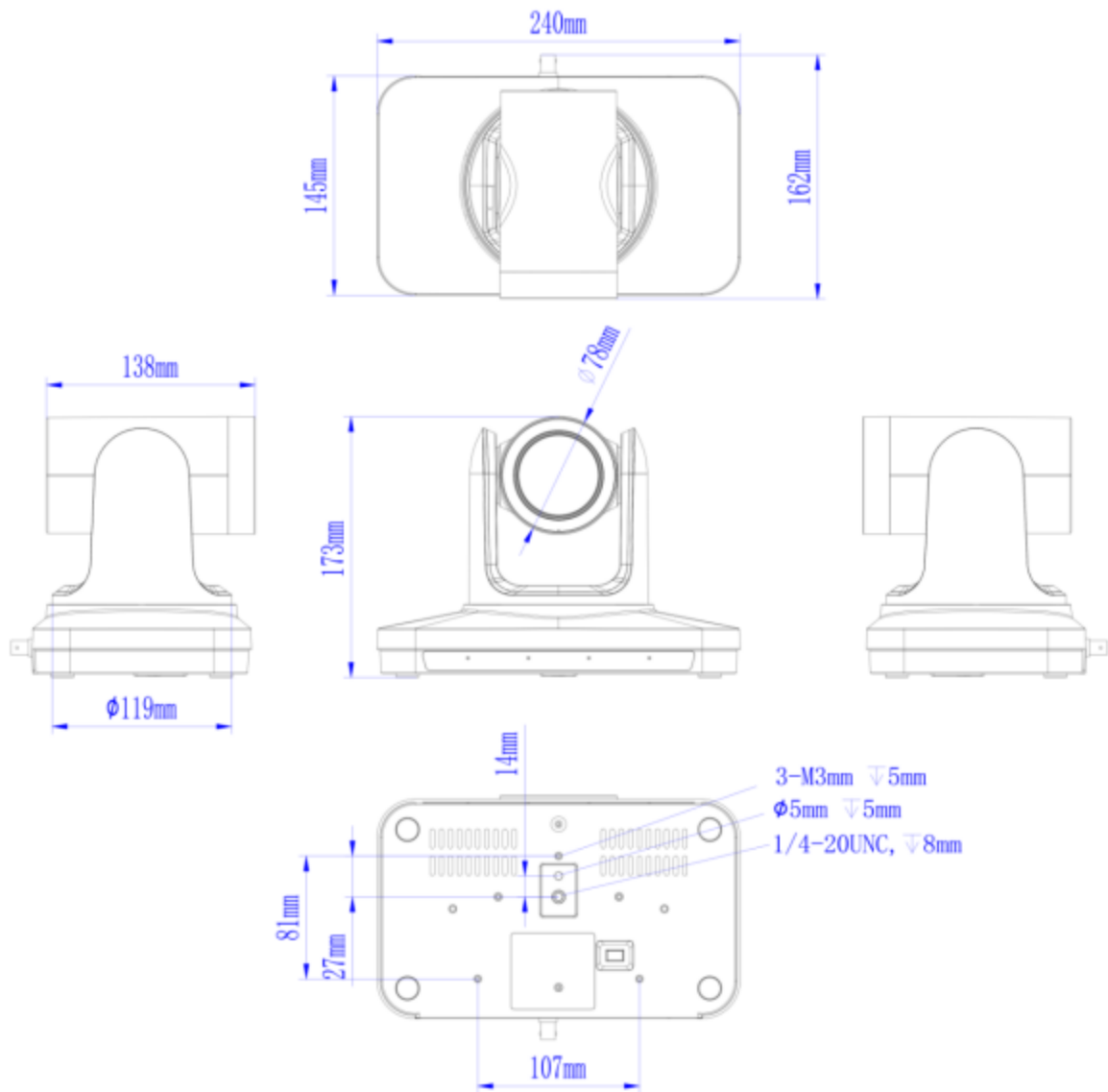
## Camera parameters

Image parameters	
Video format	HDMI: 4K30/25, 1080p60/59.94/50/30/29.97/25, 720p60/50 SDI: 1080p60/59.94/50/30/29.97/25, 720p60/50
Image sensor	SONY 1/2.8 inch CMOS
Pixel	Effective pixels 8.29 million
Scanning method	line by line
Lens focal length	20X optical zoom, f=5.33mm (wide angle) ~ 92.6mm (narrow angle), F1.55~F3.13
Digital zoom	16X
Horizontal field of view	55.8°(W)~3.2°(T)
Vertical field of view	32.2°(W)~1.8°(T)
Focus method	automatic / manual
Shutter	1/25s ~ 1/10000s
Minimum illumination	0.1 Lux @ (F1.5, AGC ON)

Exposure	Auto, manual, aperture priority, shutter priority, brightness priority
White balance	Automatic, indoor, outdoor, keyed, automatic tracking, manual
BLC	Support
Digital noise reduction	2D&3D digital noise reduction
Signal-to-Noise ratio	≥ 50dB
<b>PTZ</b>	
Horizontal rotation range	±168°
Vertical rotation range	-30°~+90°
Horizontal rotation speed range	1°~90°/s
Vertical rotation speed range	1°~90°/s
Number of preset positions	9 preset positions by IR remote controller, 200 preset positions by joystick controller
Preset position accuracy	0.1°±10%
Flip	Support
Image freeze	Support
POE power supply	802.3af (optional)
<b>USB</b>	
Protocol	UVC 1.1
Operating system	Window7 and above, MacOS , Linux, Android
Video encoding format	YUY2, MJPEG
Resolution	3840*2160, 2560*1440, 1920*1080, 1280*720, 960*540, 800*600, 720*576, 720*480, 640*480, 640*360, 352*288, 320*240
Video frame rate	up to 60
UVC PTZ control	support
<b>LAN</b>	
Protocol	TCP/IP, HTTP, RTSP, RTMP, RTMPS, SRT, Onvif , DHCP, VISCA Over IP
Video Encoding Format	H.264, H.265
Number of code streams	Main stream *1, auxiliary stream *1

Main stream resolution	1920*1080
Secondary stream resolution	640*480, 640*360, 480*360, 352*288, 320*240, 176*144
Rate control	variable code rate, fixed code rate
<b>Audio</b>	
audio compression standard	AAC
Audio bit rate	128kbps
<b>Input and output interface</b>	
HDMI interface	1*HDMI: version 1.4
SDI interface	1*3G-SDI interface
USB interface	1*USB3.0, Type-B socket 1*USB2.0 expansion input Type-A socket
Network Interface	1*RJ45: 10M/100M adaptive Ethernet port
Audio port	1*Line In, 3.5mm audio interface
Communication Interface	1*RS232 IN/OUT: 8-pin small DIN, maximum distance 30 meters, VISCA/ Pelco-D/Pelco-P protocol 1*RS485: 3-core Phoenix port, maximum distance 1200 meters, VISCA/ Pelco-D/Pelco-P protocol
Power interface	JEITA RC-5320A Type 4
<b>General specifications</b>	
Input voltage	DC 12V
Input Current	Maximum 1.5A
Power consumption	Maximum 18W
Operating temperature	0~40°C
stored temperature	-10~60°C
color	black
size	(width) 240* (depth) 162* (height) 173mm
weight	1.2kg
Random accessories	DC12V power adapter, IR remote control, operating instructions, USB3.0 video cable, RS-232 serial cable, bracket

## Dimensional wireframe



## Application scenarios



Big event



Big Conferences

## Connection diagram

