

## KT-UH40MF/40MH

12x, 20x ultra HD PTZ camera

4K30

HDMI+USB3.0

12/20x optical



### Features

#### ■ 4K Ultra HD Resolution:

Apply SONY 1/2.8" Progressive CMOS sensor, 8.50 Megapixels, can reach 4K (3840x2160) high resolution with frame rate up to 4K 30fps.

#### ■ 20x, 12x Optional Optical Zoom Lens:

UH40MF: 72.5 degrees 12x optical zoom

UH40MH: 58.7 degrees 20x optical zoom

#### ■ USB3.0+HDMI Dual Interfaces, Rich Application Scenarios:

Supports HDMI and USB3.0 ultra-high definition 4K simultaneous output.

#### ■ Low Light:

The new ultra-high signal-to-noise ratio CMOS image sensor can effectively reduce image noise under low-light conditions. At the same time, 2D & 3D digital noise reduction is applied to significantly reduce image noise. Even under ultra-low light conditions, the image can still be kept clean and clear, and the image signal-to-noise ratio is higher than 50dB.

#### ■ Remote Control:

Multiple cameras can be controlled using RS232 and RS485 serial ports.

#### ■ Infrared Remote Control Signal Transparent Transmission Function:

In addition to receiving its own infrared remote control signal, it can also receive signals from consumer infrared remote controls and send them to the video conferencing terminal through the VISCA port.

■ **Multiple Video Compression Standards:**

Different interfaces support multiple video compression formats such as YUY2, MJPG

■ **Multiple Control Protocols**

Supports VISCA , PELCO P/D protocols, and automatic identification protocols.

■ **New generation intelligent AI algorithms (Next version):**

Supports single person tracking and Auto Framing intelligent framing functions;

■ **Various Installation Methods**

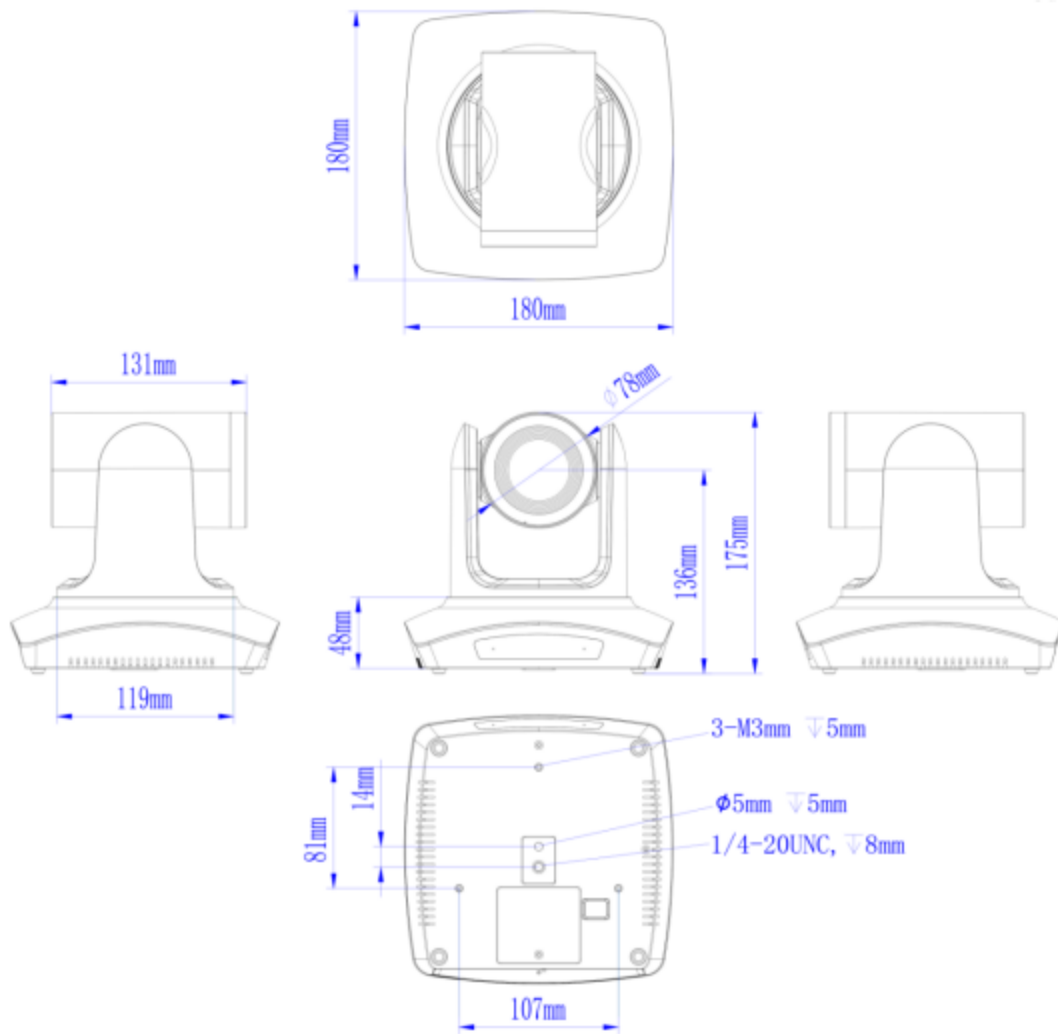
Multiple installation methods, can be installed on desktop, ceiling, or wall.

## Specifications

Camera	
Video Format	HDMI: 4K30/25, 1080p60/59.94/50/30/29.97/25, 720p60/50
Image Sensor	SONY 1/2.8 " CMOS
Pixels	8.5 Megapixels , Effective Pixels 8.29 Megapixels
Scanning Method	Line by Line
Lens Focal Length	UH40MF: 12x optical zoom, f=4.1mm (wide angle) ~ 49.2mm (narrow angle) F1.8~F2.68 UH40MH: 20x optical zoom, f=5.33mm (wide angle) ~ 92.6mm (narrow angle) F1.55~F3.13
Horizontal Field of View	UH40MF : 70.28°(W)~6.57°(T) UH40MH: 55.8°(W)~3.2°(T)
Vertical Field of View	UH40MF : 42.06°(W)~3.76°(T) UH40MH: 32.2°(W)~1.8°(T)
Focus Method	Automatic / Manual
Shutter	1/25s ~ 1/10000s
Minimum Illumination	0.1 Lux @ (F1.8, AGC ON)
Exposure	Auto, Manual, Iris Priority, Shutter Priority, Brightness Priority
White Balance	Automatic, Indoor, Outdoor, Keyed, Automatic Tracking, Manual
Backlight Compensation	Support
Digital Noise Reduction	2D&3D Digital noise reduction
Signal-to-Noise Ratio	≥50dB
Pan/Tilt	
Pan Range	±168°
Tilt Range	-30°~+90°
Pan Speed	1°~60°/s

Tilt Speed	1°~60°/s
Number of Preset Positions	The remote control can be set to 9, and the keyboard can be set to up to 200 preset positions.
Preset Position Accuracy	0.1°±10%
Flip	Support
<b>USB</b>	
Protocol	UVC 1.1
Operating System	Window7 and above, MacOS, Linux, Android
Video Encoding Format	YUY2, MJPEG
Resolution	3840*2160, 2560*1440, 1920*1080, 1280*720, 960*540, 800*600, 720*576, 720*480, 640*480, 640*360, 352*288, 320*240
Video Frame Rate	Up to 30
UVC PTZ control	Support
<b>Input and Output Interface</b>	
HDMI Interface	1 way, HDMI: version 1.4
USB Interface	1 way, USB3.0, Type-B socket
Communication Interface	1 channel, RS232 IN: 8-pin small DIN, maximum distance 30 meters, VISCA/Pelco-D/Pelco-P protocol 1 channel, RS485 IN: 3-core Phoenix port, maximum distance 1200 meters, VISCA/Pelco-D/Pelco-P protocol
Power Interface	JEITA RC-5320A Type 4
<b>Others</b>	
Input voltage	DC 12V
Input Current	Maximum 0.8A
Power consumption	Maximum 10W
Operating Temperature	0~40℃
Stored Temperature	-10~60℃
Color	Silver
Size	(width) 180* (depth) 180* (height) 175mm
Weight	1.2kg
Accessories	DC12V power adapter, IR remote control, operating instructions, USB3.0 video cable, RS-232 serial cable, bracket

Dimensional Wireframe



**Application**



### Connection Diagram

